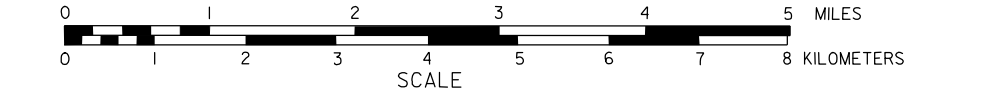


GENERAL HIGHWAY MAP YORK COUNTY NEBRASKA

PREPARED BY THE
DEPARTMENT OF ROADS
INFORMATION SYSTEMS DIVISION
IN COOPERATION WITH THE
U.S. DEPARTMENT OF TRANSPORTATION
FEDERAL HIGHWAY ADMINISTRATION

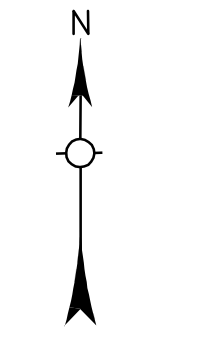
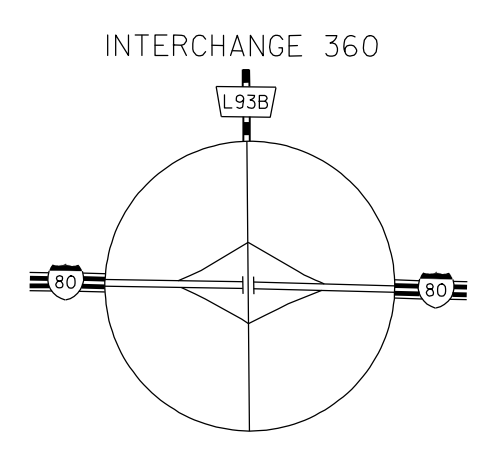
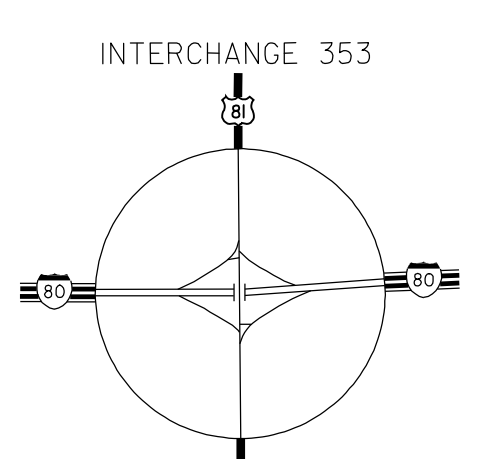
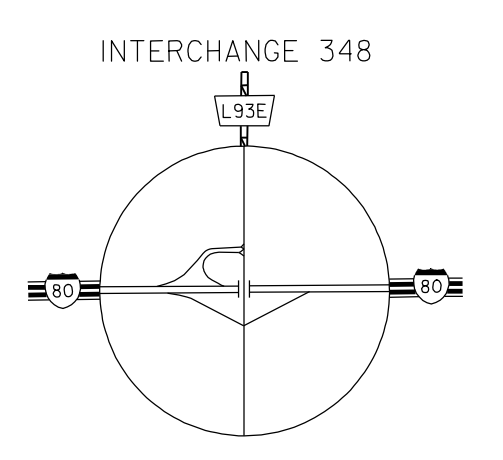
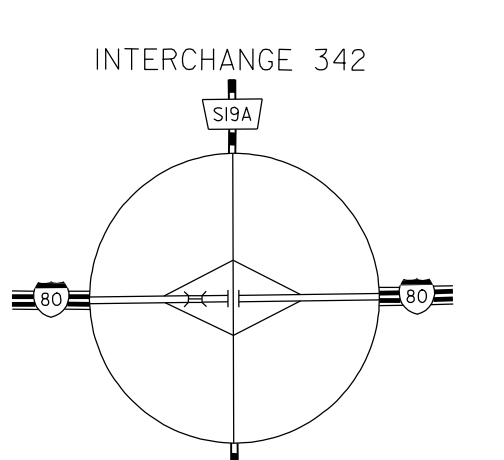
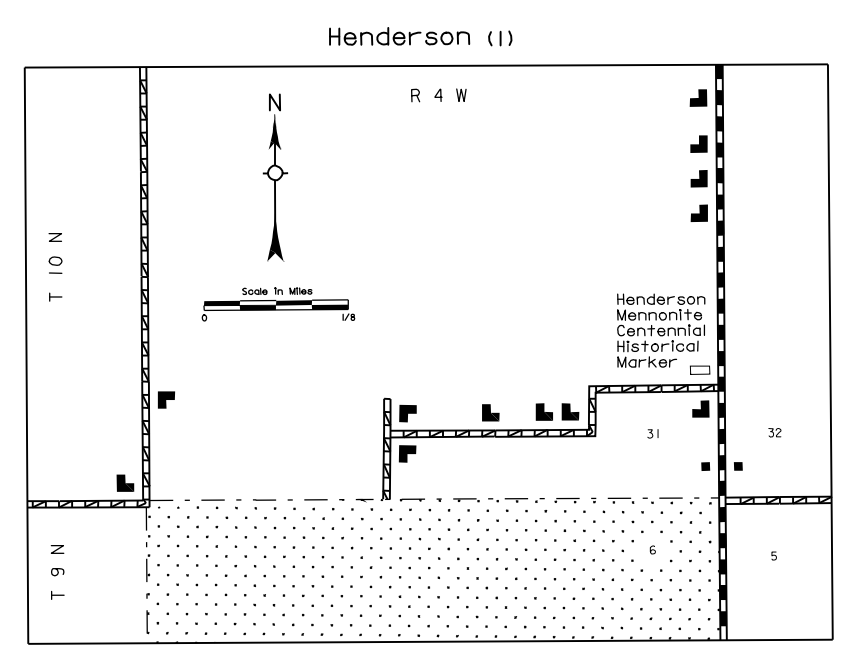
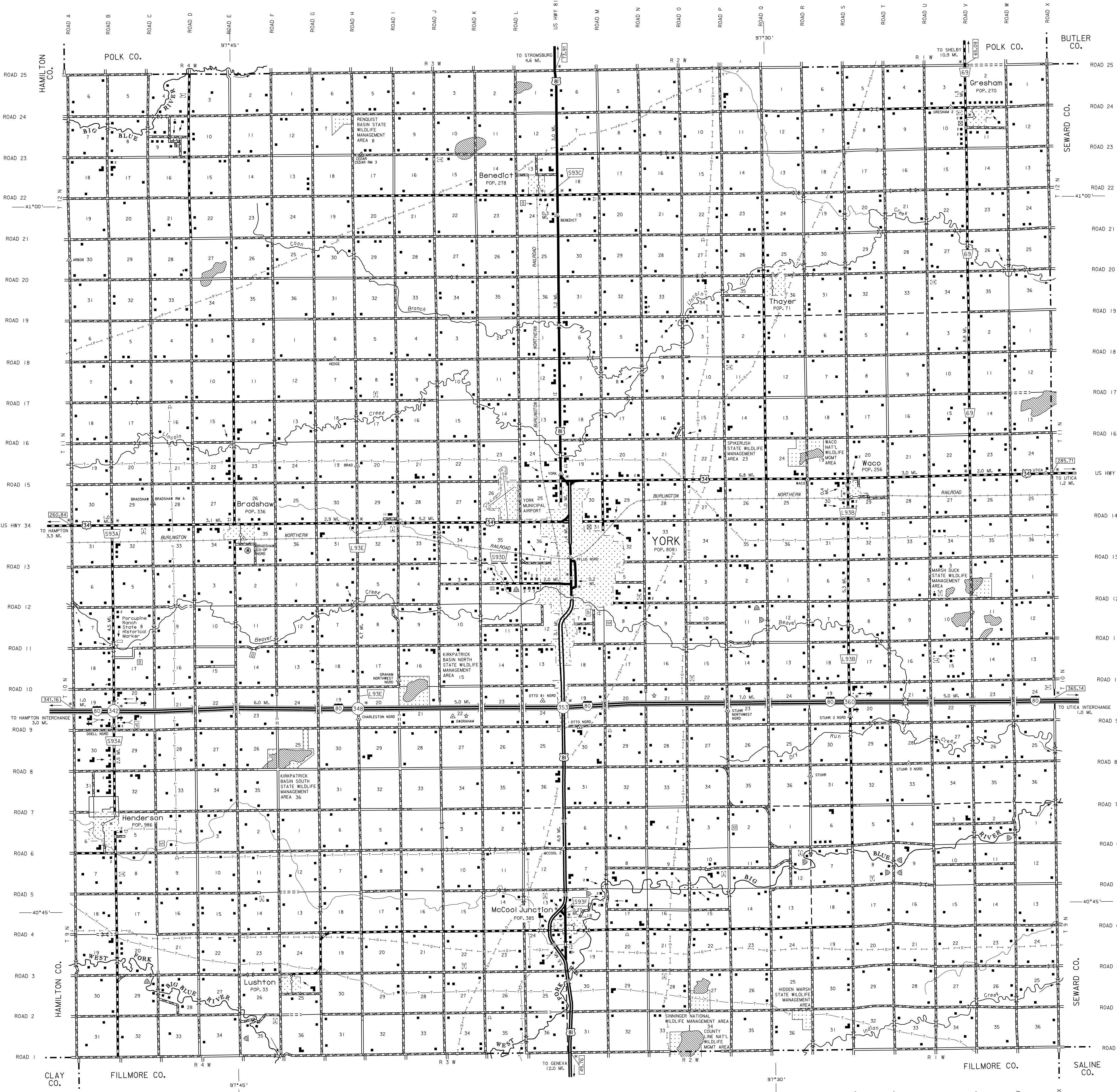


INVENTORY DATE:
1985

| REVISION HISTORY | | |
|------------------|--------------|-----------------------------|
| NAME | DATE | REVISION |
| P. BRADY | FEB. 2001 | 911 SYSTEM |
| P. BRADY | JULY 2003 | ALIGN. HWY. #1-MCCOOK, JCT. |
| MIAMI WILLIAMS | JUNE 7, 2005 | ADD MORAH DUCK, RMA |

LEGEND

- Primitive Road.....
- Unimproved Road.....
- Gravel or Crushed Road.....
- Asphalt/Bituminous Surface.....
- Multiple Lane Undivided Highway.....
- Asphalt/Bituminous Surface.....
- Concrete/Brick Surface.....
- Multiple Lane Undivided Highway.....
- Concrete/Brick Surface.....
- Divided Highway.....
- Interstate Highway with Full Control of Access.....
- Side Roads and Streets.....
- Interstate-Numbered Highway.....
- US-Numbered Highway.....
- State-Numbered Highway.....
- State-Numbered Highway Spur.....
- State-Numbered Highway Link.....
- Highway Reference Post Number.....
- Interstate Exit Number.....
- Wide Stream.....
- Narrow Stream.....
- Irrigation Ditch.....
- Reservoir, Pond or Lake.....
- Reservoir, With Dam.....
- Highway Bridge-Any Type, lower 20' apart.....
- Small Bridges-Closely Spaced, spacings indicate size, none when bridge is a girder.....
- General Bridge.....
- Arch Bridge.....
- Truss Bridge.....
- Pedestrian Underpass.....
- Federated Overpass.....
- Railroad Overpass.....
- Railroad Underpass.....
- Railroad.....
- Dam with Road on Top.....
- Cattle Guard.....
- Dwelling.....
- Row of Dwellings.....
- Cemetery.....
- Church or Other Religious Institution.....
- Church with Cemetery Adjacent.....
- Hospital.....
- Business.....
- Industrial Plant.....
- Filling Station.....
- Grain Elevator.....
- Aggregate Pit.....
- Agricultural Experimental Station.....
- Educational Institutions.....
- Public Use Area.....
- Recreational Facilities.....
- Rest Area.....
- Ranger Station.....
- Fish Hatchery.....
- Community Hall.....
- Correctional Institution.....
- Tourist Court or Motel.....
- Monument-Small.....
- Museum.....
- Firestation.....
- Courthouse.....
- Armory.....
- Post Office.....
- Highway Maintenance Yard.....
- Dump Area.....
- Water Supply Stand Pipe.....
- Sewage Disposal Plant.....
- Pipe Line.....
- Transmission Line.....
- Power Plant.....
- Power Substation.....
- Road or TV Station.....
- Pumping Station.....
- Weight Station or Part of Entry.....
- Commercial or Municipal Airport.....
- Airport with Paved Runways.....
- State Boundary.....
- County Boundary.....
- Township Line.....
- Section Line.....
- Corporate Limit Lines.....
- Parks and Other Reservations.....
- Boundary Limits of Area Shown in Enclosure.....
- State Capitol.....
- County Seat.....
- Other Cities and Villages.....
- Incorporated City or Village.....
- Triangulation Station.....
- Points Between Which Distances Are Measured Indicated Thus.....
- Latitude and Longitude.....



LAMBERT CONFORMAL CONIC PROJECTION
1983 NORTH AMERICAN DATUM
NEBRASKA COORDINATE SYSTEM

