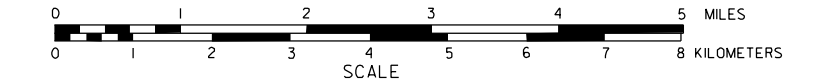


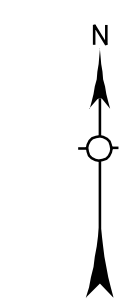
GENERAL HIGHWAY MAP
HALL COUNTY
 NEBRASKA

PREPARED BY THE
 DEPARTMENT OF ROADS
 TRANSPORTATION PLANNING DIVISION
 IN COOPERATION WITH THE
 U.S. DEPARTMENT OF TRANSPORTATION
 FEDERAL HIGHWAY ADMINISTRATION
 1995

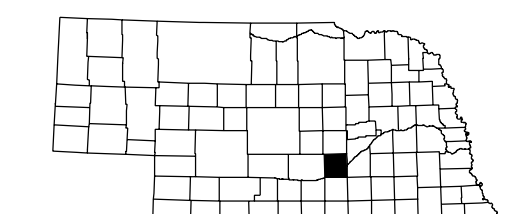


LEGEND

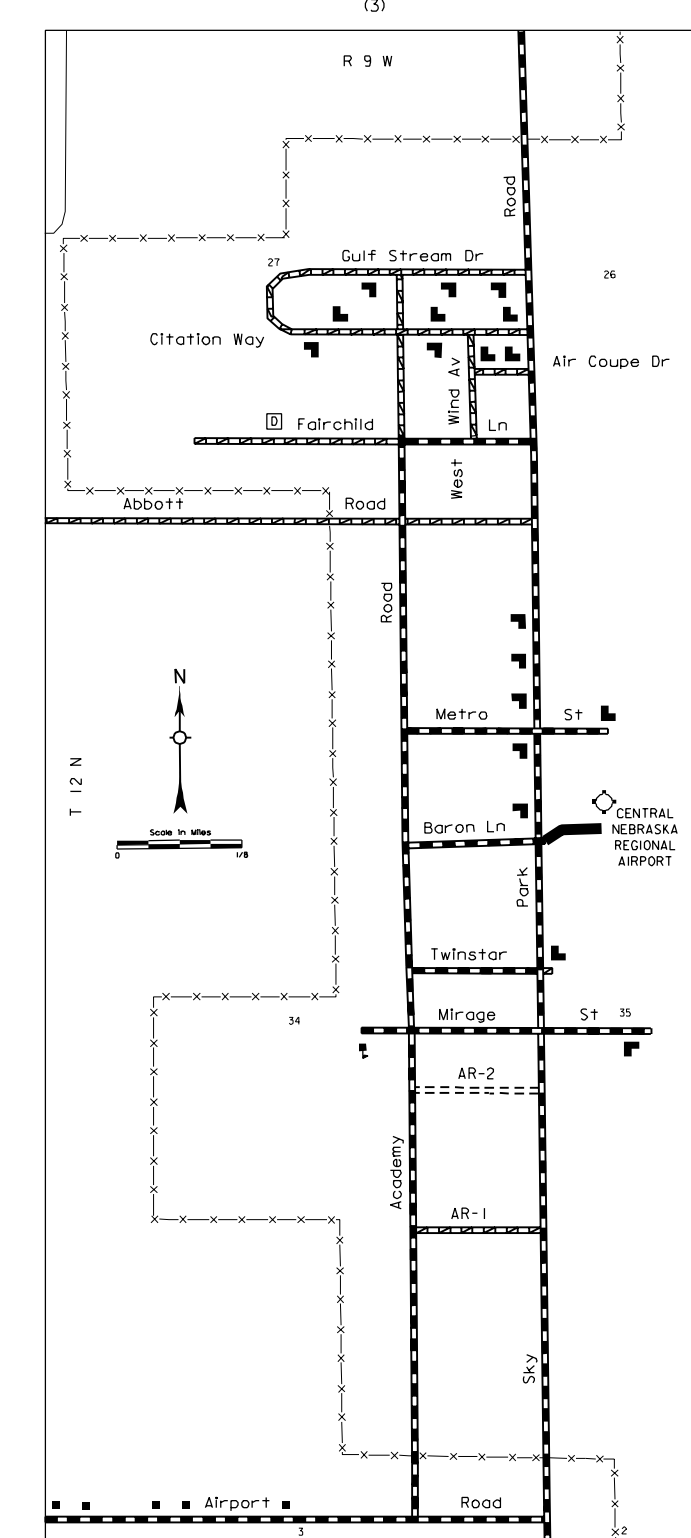
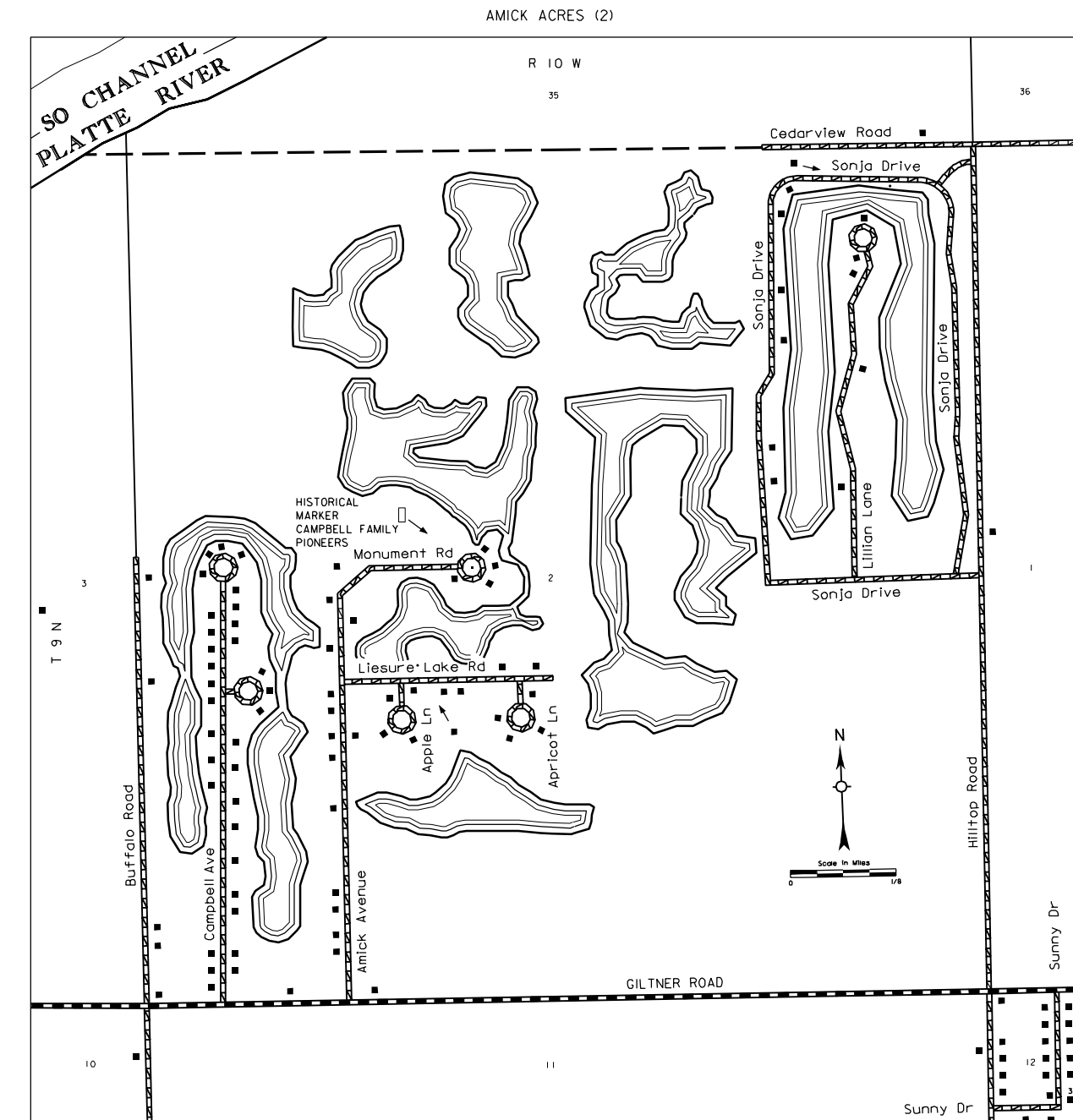
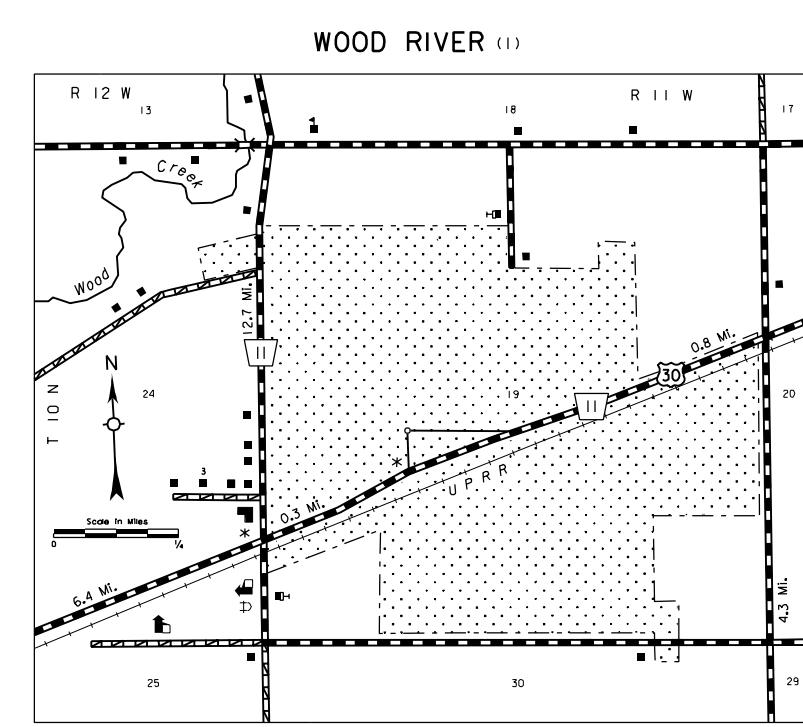
- | | |
|--|--|
| Primitive Road | Public Use Area |
| Unimproved Road | Recreational Facilities |
| Gravel or Crushed Rock | Rest Area |
| Asphalt/Bituminous Surface | Ranger Station |
| Concrete/Brick Surface | Fish Hatchery |
| Multiple Lane Undivided Highway | Community Hall |
| Divided Highway | Correctional Institution |
| Interstate Highway with Full Control of Access | Tourist Court or Motel |
| State Roads and Streets | Monument-Small |
| Interstate-Numbered Highway | Museum |
| US-Numbered Highway | Firestation |
| State-Numbered Highway | Courthouse |
| State-Numbered Highway Spur | Armory |
| State-Numbered Highway Link | Post Office |
| Interstate Exit Number | Highway Maintenance Yard |
| Wide Stream | Dump Area |
| Narrow Stream | Sewage Disposal Plant |
| Irrigation Ditch | Water Supply Stand Pipe |
| Reservoir, Pond or Lake | Transmission Line |
| Reservoir, With Dam | Power Plant |
| Highway Bridge-Any Type, Over 20' span | Power Substation |
| Small Bridges-Closely Spaced, Spacings Indicate Limits within which Spacings are Greater | Radio or TV Station |
| General Bridge | Pumping Station |
| Arch Bridge | Weight Station or Part of Entry |
| Truss Bridge | Commercial or Municipal Airport |
| Pedestrian Underpass | Airport with Paved Runways |
| Pedestrian Overpass | State Boundary |
| Railroad Overpass | County Boundary |
| Railroad Underpass | Township Line |
| Railroad | Section Line |
| Dam with Road on Top | Corporate Limit Lines |
| Cattle Guard | Parks and Other Reservations |
| Dwelling | Boundary Limits of Area Shown in Enlargements (see enlargements for culture) |
| Row of Dwellings | State Capital |
| Cemetery | County Seat |
| Church or Other Religious Institution | Other Cities and Villages |
| Church with Cemetery Adjacent | Incorporated City or Village |
| Hospital | Triangulation Station |
| Business | Points Between which Distances are Measured Indicated Thus |
| Industrial Plant | Latitude and Longitude |
| Filling Station | Nebraska Coordinate System in thousands of feet |
| Crab Elevator | Aggregate Pit |
| Agricultural Experimental Station | Educational Institutions |
| | Universal Transverse Mercator Grid in thousands of feet |



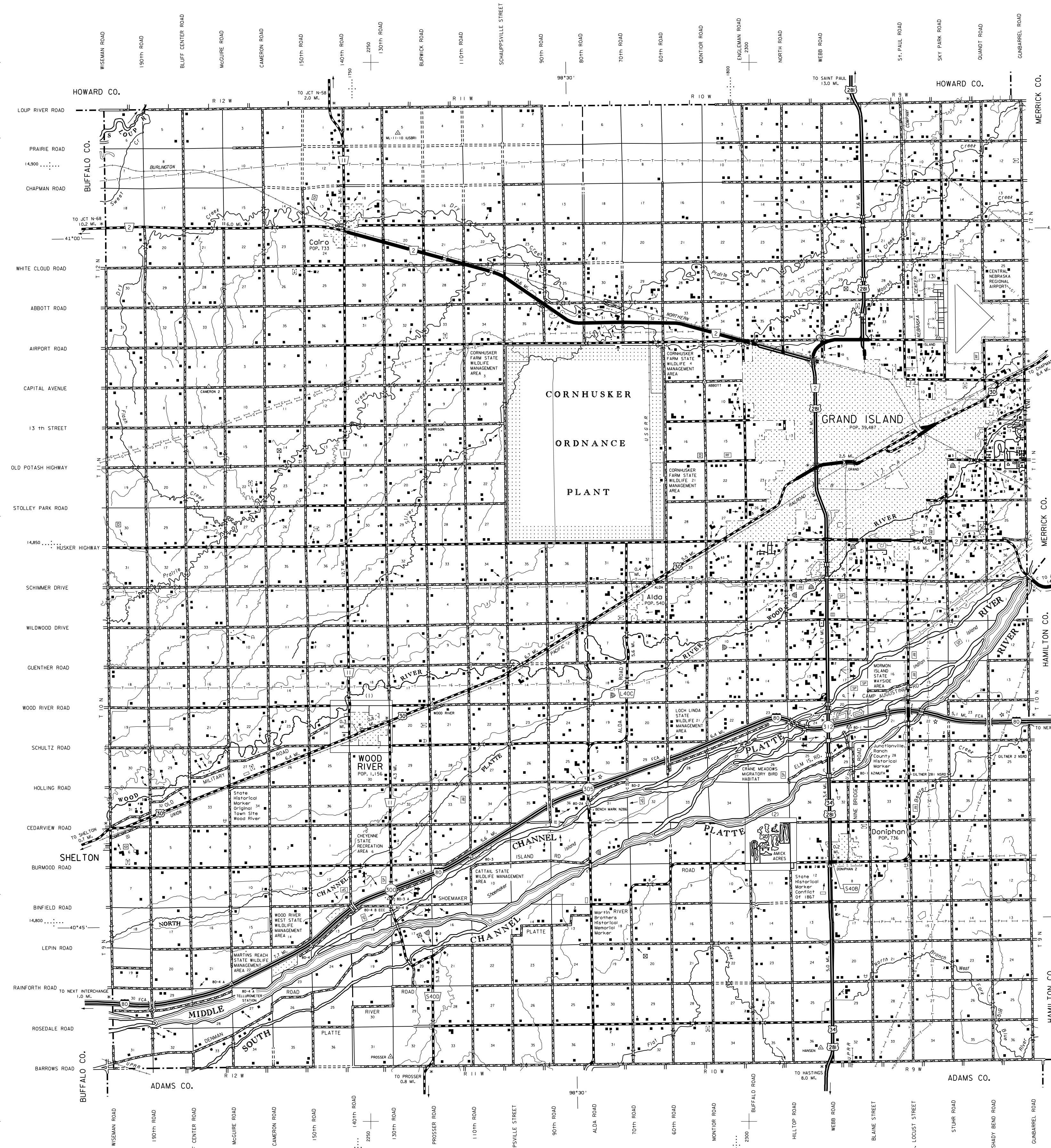
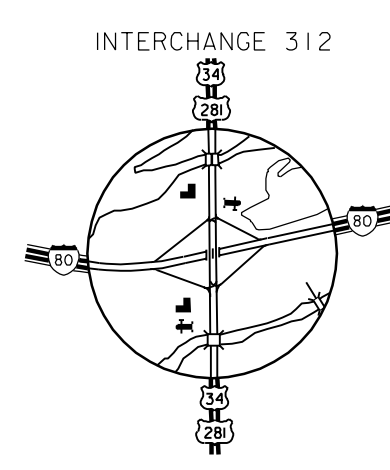
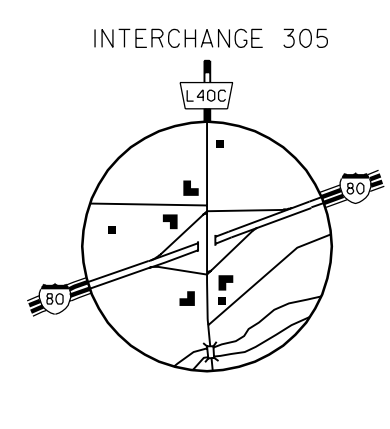
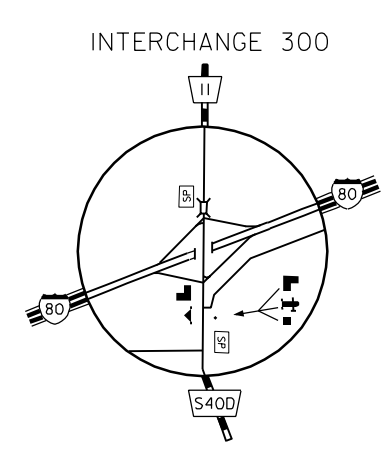
LAMBERT CONFORMAL CONIC PROJECTION
 1927 NORTH AMERICAN DATUM
 NEBRASKA COORDINATE SYSTEM-SOUTH ZONE



KEY TO COUNTIES



L. GRIFFITH
 CARTOGRAPHER



POPULATION AS OF 1990 CENSUS
 STATE HIGHWAYS CORRECTED TO 1996
 AERIAL PHOTOGRAPHY TAKEN IN 1966