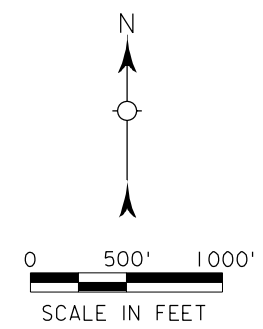
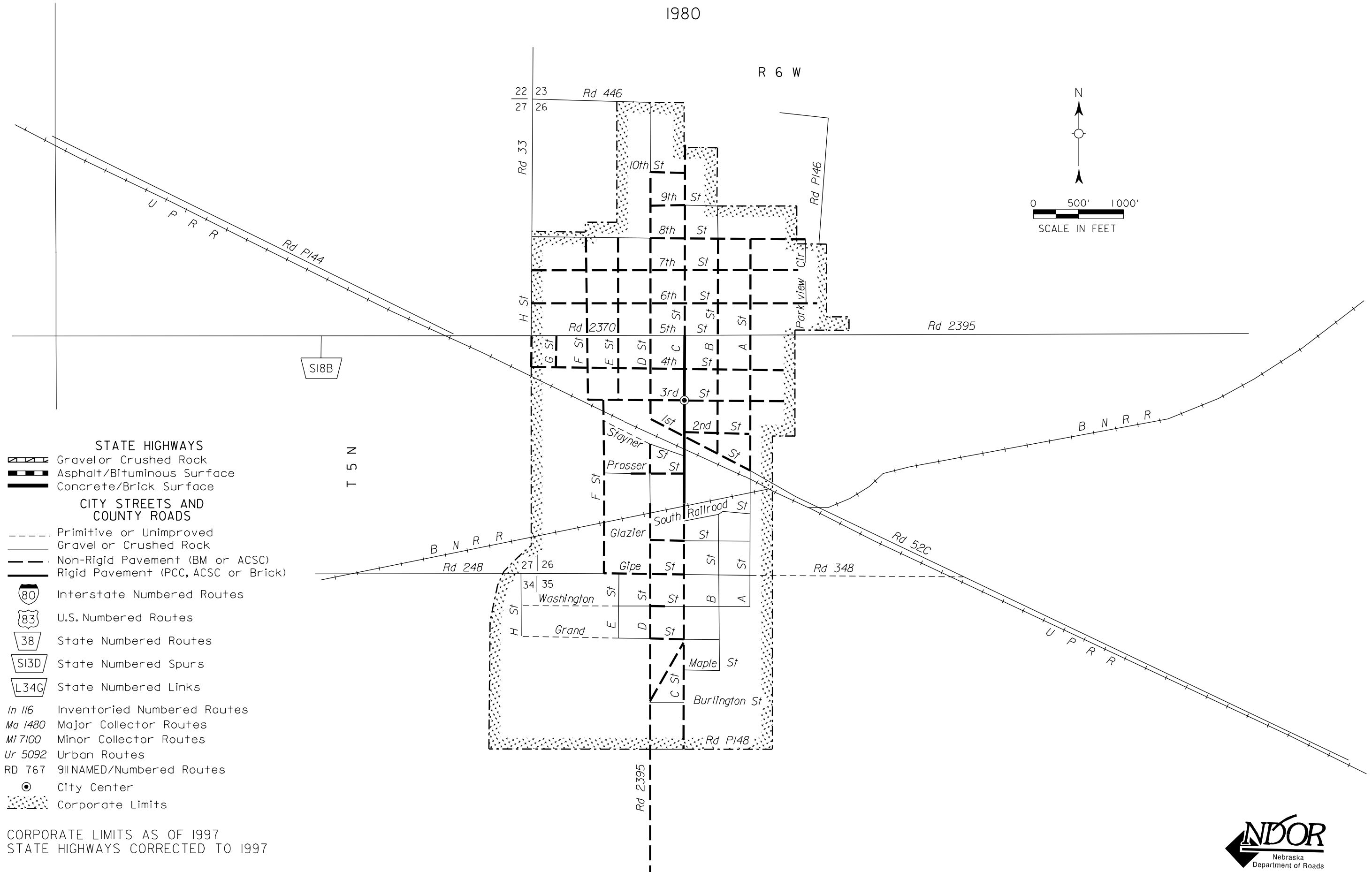


EDGAR

CLAY COUNTY
NEBRASKA

POPULATION 539 (2000 CENSUS)
1980



- STATE HIGHWAYS**
- Gravel or Crushed Rock
 - Asphalt/Bituminous Surface
 - Concrete/Brick Surface
- CITY STREETS AND COUNTY ROADS**
- Primitive or Unimproved
 - Gravel or Crushed Rock
 - Non-Rigid Pavement (BM or ACSC)
 - Rigid Pavement (PCC, ACSC or Brick)
- Interstate Numbered Routes
- U.S. Numbered Routes
- State Numbered Routes
- State Numbered Spurs
- State Numbered Links
- In 116* Inventoried Numbered Routes
- Ma 1480* Major Collector Routes
- Mi 7100* Minor Collector Routes
- Ur 5092* Urban Routes
- RD 767* 911NAMED/Numbered Routes
- City Center
- Corporate Limits

CORPORATE LIMITS AS OF 1997
STATE HIGHWAYS CORRECTED TO 1997

